

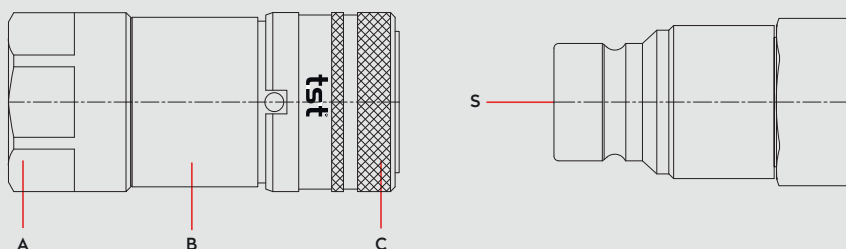
DN 6-33

SERIE 072

HYDRAULIC COUPLINGS

HYDRAULISCHE KUPPLUNGEN

Materials



Material Code

A = Steel + Chrome Zinc Plated

B = Steel + Chrome Zinc Plated

C = Steel + Chrome Zinc Plated

S = Steel + Chrome Zinc Plated

FLOW

- DN6 → 12 lt/min
- DN10 → 20 lt/min
- DN12 → 40 lt/min
- DN16 → 55 lt/min
- DN19 → 70 lt/min
- DN25 → 105 lt/min
- DN33 → 160 lt/min



-40° to + 105°C (NBR)

Shut Off Type

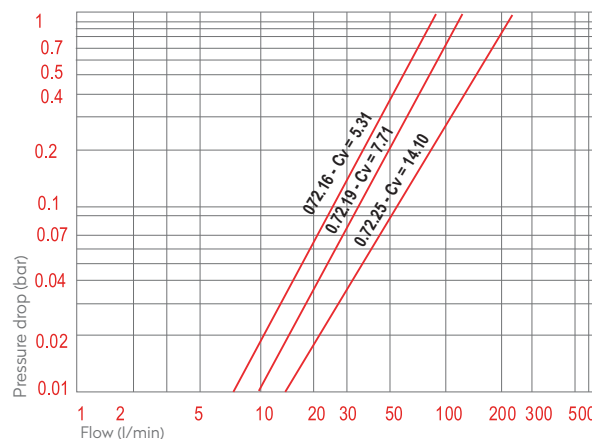
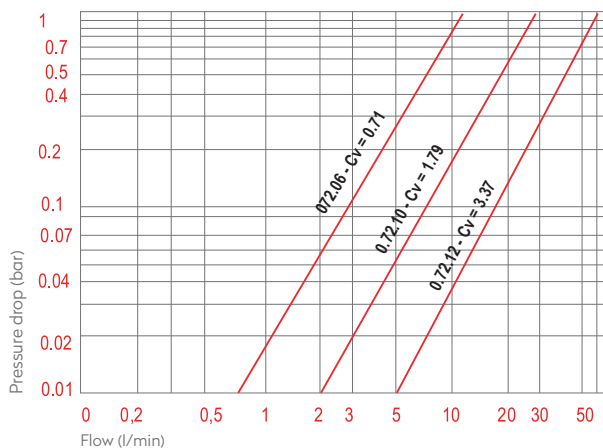


ISO 16028

FF

DN

6 - 33 mm



Test oil viscosity : Oil - ISO VG32
Viscosity: 28.8 - 35.2 mm²/s

Temp. : 40°C
Direction of flow: Socket to Plug

Options

FPM

AISI303
Stainless Steel

Body Size	Max. Working Pres. Coupled	Burst Pres. Coupled	Burst Pres. Plug	Burst Pres. Socket
072.06	325 bar	1200 bar	1200 bar	700 bar
072.10	325 bar	1200 bar	1200 bar	700 bar
072.12	325 bar	1200 bar	1200 bar	700 bar
072.16	270 bar	1100 bar	1100 bar	700 bar
072.19	270 bar	950 bar	950 bar	500 bar
072.25	250 bar	950 bar	950 bar	500 bar
072.33	200 bar	700 bar	700 bar	400 bar

Compatible with

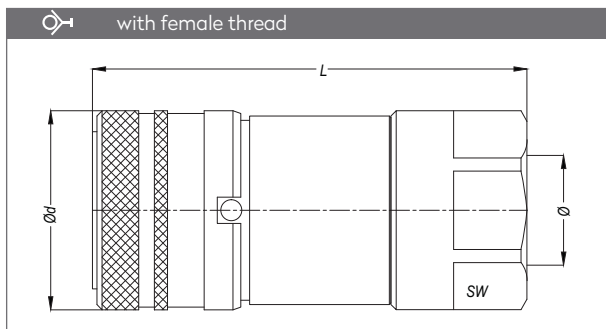
STUCCHI
TEMA

HYDRAULIC COUPLINGS
HYDRAULISCHE KUPPLUNGEN

SERIE 072

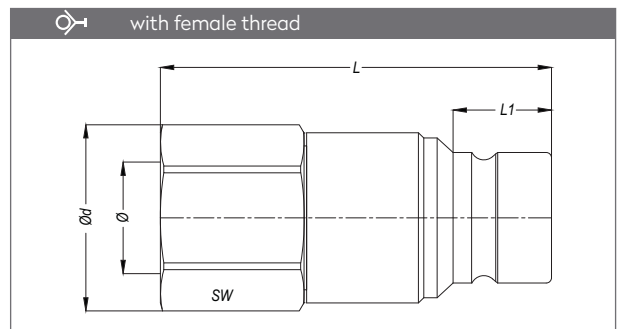


QUICK COUPLINGS SCHNELLKUPPLUNGEN



Part no.	DN	Ø	SW	L	Ød
072.06 DGB 13	1/4" 6 mm	BSP 1/4"	22	54.8	28
072.06 NGB 13	1/4" 6 mm	NPT 1/4"	22	54.8	28
072.06 UGB 14	1/4" 6 mm	UNF 9/16"-18	22	57.8	28
072.10 DGB 17	3/8" 10 mm	BSP 3/8"	27	65.2	32
072.10 DGB 21	3/8" 10 mm	BSP 1/2"	27	68.7	32
072.10 NGB 17	3/8" 10 mm	NPT 3/8"	27	65.2	32
072.10 NGB 21	3/8" 10 mm	NPT 1/2"	27	68.7	32
072.10 UGB 14	3/8" 10 mm	UNF 9/16"-18	27	66.4	32
072.10 UGB 19	3/8" 10 mm	UNF 3/4"-16	27	66.7	32
072.12 DGB 21	1/2" 12 mm	BSP 1/2"	35	83	38
072.12 NGB 21	1/2" 12 mm	NPT 1/2"	35	83	38
072.12 UGB 22	1/2" 12 mm	UNF 7/8"-14	35	83	38
072.12 DGB 26	1/2" 12 mm	BSP 3/4"	35	83	38
072.12 NGB 26	1/2" 12 mm	NPT 3/4"	35	83	38
072.12 UGB 27	1/2" 12 mm	UNF 11/16"-12	35	88	38
072.16 DGB 26	5/8" 16 mm	BSP 3/4"	36	85.5	42
072.16 NGB 26	5/8" 16 mm	NPT 3/4"	36	85.5	42
072.16 UGB 27	5/8" 16 mm	UNF 11/16"-12	36	85.5	42
072.19 DGB 33	3/4" 19 mm	BSP 1"	41	96.8	48
072.19 NGB 33	3/4" 19 mm	NPT 1"	41	96.8	48
072.19 UGB 33	3/4" 19 mm	UNF 15/16"-12	41	99.5	48
072.25 DGB 42	1" 25 mm	BSP 1 1/4"	55	110.3	55
072.25 NGB 42	1" 25 mm	NPT 1 1/4"	55	110.3	55
072.25 UGB 41	1" 25 mm	UNF 1 5/8"-12	55	110.3	55
072.33 DGB 48	1 1/2" 33 mm	BSP 1 1/2"	65	137.5	83
072.33 NGB 48	1 1/2" 33 mm	NPT 1 1/2"	65	137.5	83
072.33 UGB 48	1 1/2" 33 mm	UNF 1 7/8"-12	65	137.5	83

PLUGS STECKNIPPEL



Part no.	DN	Ø	SW	L	L1	Ød
072.06 DUB 13	1/4" 6 mm	BSP 1/4"	22	50.7	12	24
072.06 NUB 13	1/4" 6 mm	NPT 1/4"	22	49.7	12	24
072.06 UUB 14	1/4" 6 mm	UNF 9/16"-18	22	49.7	12	24
072.10 DUB 17	3/8" 10 mm	BSP 3/8"	25	58.7	16.8	28.7
072.10 DUB 21	3/8" 10 mm	BSP 1/2"	27	61.7	16.8	30
072.10 NUB 17	3/8" 10 mm	NPT 3/8"	25	58.7	16.8	28.7
072.10 NUB 21	3/8" 10 mm	NPT 1/2"	27	61.7	16.8	30
072.10 UUB 14	3/8" 10 mm	UNF 9/16"-18	27	59.7	16.8	31
072.10 UUB 19	3/8" 10 mm	UNF 3/4"-16	27	62.7	16.8	31
072.12 DUB 21	1/2" 12 mm	BSP 1/2"	32	73.2	18.5	35
072.12 NUB 21	1/2" 12 mm	NPT 1/2"	32	70.2	18.5	35
072.12 UUB 22	1/2" 12 mm	UNF 7/8"-14	35	74.2	18.5	38
072.12 DUB 26	1/2" 12 mm	BSP 3/4"	35	72.2	18.5	38
072.12 NUB 26	1/2" 12 mm	NPT 3/4"	35	74.2	18.5	38
072.12 UUB 27	1/2" 12 mm	UNF 11/16"-12	35	78.2	18.5	38
072.16 DUB 26	5/8" 16 mm	BSP 3/4"	38	75.2	17.3	41.5
072.16 NUB 26	5/8" 16 mm	NPT 3/4"	38	75.2	17.3	41.5
072.16 UUB 27	5/8" 16 mm	UNF 11/16"-12	38	74.2	17.3	41.5
072.19 DUB 33	3/4" 19 mm	BSP 1"	46	81.5	23.6	50
072.19 NUB 33	3/4" 19 mm	NPT 1"	46	85	23.6	50
072.19 UUB 33	3/4" 19 mm	UNF 15/16"-12	38	83.5	23.6	41.5
072.25 DUB 42	1" 25 mm	BSP 1 1/4"	55	90	23.5	60
072.25 NUB 42	1" 25 mm	NPT 1 1/4"	55	90	23.5	60
072.25 UUB 41	1" 25 mm	UNF 1 5/8"-12	55	90	23.5	60
072.33 DUB 48	1 1/2" 33 mm	BSP 1 1/2"	70	112.2	31	74
072.33 NUB 48	1 1/2" 33 mm	NPT 1 1/2"	70	112.3	31	74
072.33 UUB 48	1 1/2" 33 mm	UNF 1 7/8"-12	70	112.3	31	74

LUDVIK

INDUSTRIEGERÄTE

KETZERGASSE 427
A-1230 Vienna

T: +43/1/8123944
E: office@r-ludvik.at
www.r-ludvik.at