

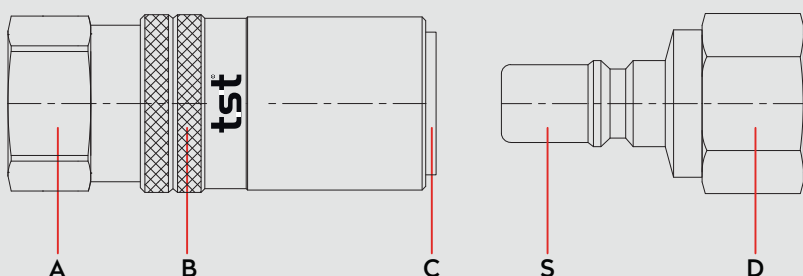


DN 6-16

MOULD COOLING COUPLINGS
KÜHLUNGSELEMENTE FÜR WERKZEUGE


SERIE 101

Materials




Material Code

- A = Brass
- B = AISI 420 - Chrome Plated
- C = Brass
- S = Brass Nickel Plated
* Serie 101.16 → AISI420
- D = Brass Nickel Plated



0 - 16 bar



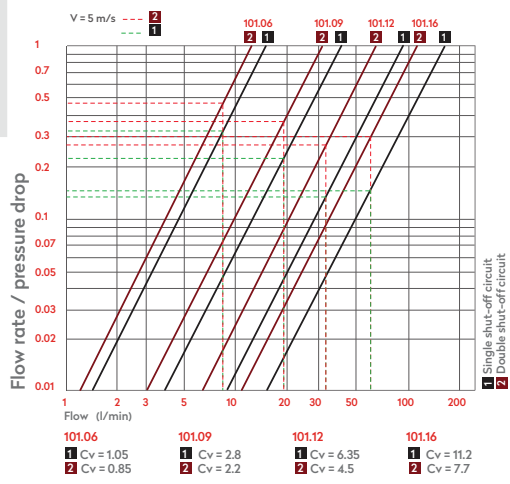
-26°C to + 200°C (FPM)

Shut Off Type


	COUPLING	TST 101.06 OV 200 - 00800 OV 120 - 00900 OV 200 - 00450	TST 101.09 OV 262 - 01235 OV 100 - 01300 OV 200 - 00800	TST 101.12 OV 280 - 01600 OV 262 - 01075 OV 157 - 01600	TST 101.16 OV 262 - 02105 OV 262 - 01510 OV 200 - 02000
	PLUG	TST 101.06 OV 178 - 00290 OV 178 - 01110	TST 101.09 OV 200 - 00600 OV 140 - 01500	TST 101.12 OV 205 - 00870 OV 157 - 01950	TST 101.16 OV 262 - 01235 OV 157 - 02700

DN

- TST 101.06 → 6mm
- TST 101.09 → 9 mm
- TST 101.12 → 12 mm
- TST 101.16 → 16 mm



Options

E2	FFKM please ask	HT 101.09 - 101.16	
NICKEL	EPDM	AISI303 Stainless Steel	Id. Ring

Applications

- Cold - hot fluid circuits
- Temperature control

Compatible with

PARKER 6006-6009-6012-6016

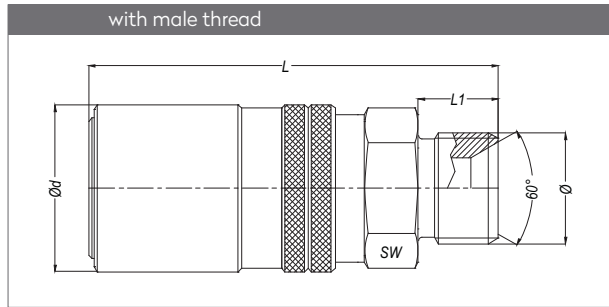
MOULD COOLING COUPLINGS

KÜHLUNGSELEMENTE FÜR WERKZEUGE

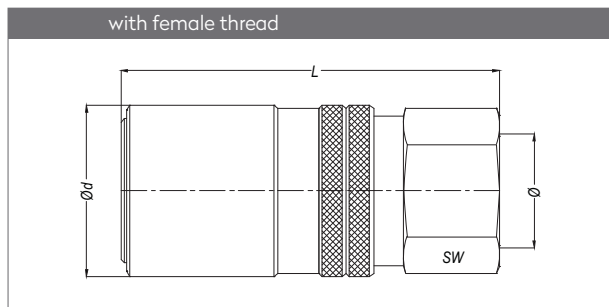
SERIE 101



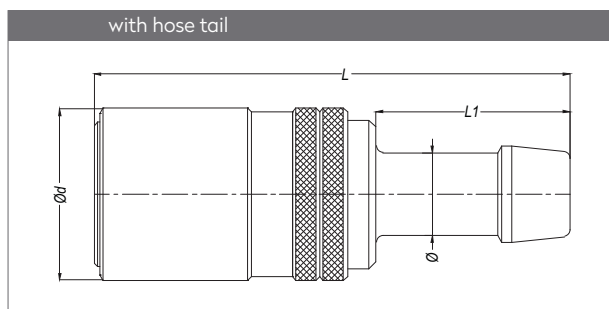
QUICK COUPLINGS SCHNELLKUPPLUNGEN



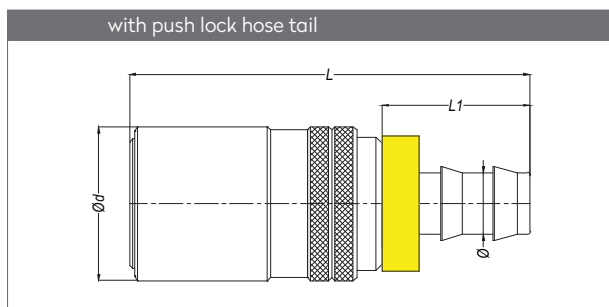
Part no.		DN	Ø	Ød	L	L1	SW
101.06 EGB 13	101.06 EGF 13	6	BSP 1/4"	19.3	51.4	9	17
101.09 EGB 17	101.09 EGF 17	9	BSP 3/8"	25	61.2	12	22
101.12 EGB 21	101.12 EGF 21	12	BSP 1/2"	30.3	72	14	27
101.16 EGB 26	101.16 EGF 26	16	BSP 3/4"	38	95	18	35



Part no.		DN	Ø	Ød	L	SW
101.06 DGB 13	101.06 DGF 13	6	BSP 1/4"	19.3	45.4	17
101.06 NGB 13	101.06 NGF 13	6	NPT 1/4"	19.3	45.4	17
101.09 DGB 17	101.09 DGF 17	9	BSP 3/8"	25	53.2	22
101.09 NGB 17	101.09 NGF 17	9	NPT 3/8"	25	53.2	22
101.12 DGB 21	101.12 DGF 21	12	BSP 1/2"	30.3	67	27
101.12 NGB 21	101.12 NGF 21	12	NPT 1/2"	30.3	65	27
101.16 DGB 26	101.16 DGF 26	16	BSP 3/4"	38	90	35
101.16 NGB 26	101.16 NGF 26	16	NPT 3/4"	38	90	35



Part no.		DN	Ø	Ød	L	L1
101.06 HGB 08	101.06 HGF 08	6	08 - 5/16"	19.3	59.4	23
101.09 HGB 12	101.09 HGF 12	9	12 - 15/32"	25	69.2	28.3
101.12 HGB 13	101.12 HGF 13	12	13 - 1/2"	30.3	81.1	28
101.12 HGB 16	101.12 HGF 16	12	16 - 5/8"	30.3	81.1	28
101.16 HGB 16	101.16 HGF 16	16	16 - 5/8"	38	108	28
101.16 HGB 19	101.16 HGF 19	16	19 - 3/4"	38	108	28



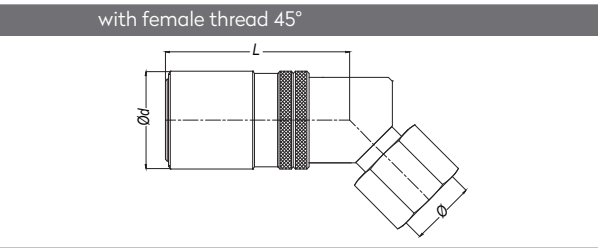
Part no.		DN	Ø	Ød	L	L1
101.06 FGB 10	101.06 FGF 10	6	10 - 3/8"	19.7	60.4	24
101.09 FGB 10	101.09 FGF 10	9	10 - 3/8"	25	66.2	24
101.09 FGB 13	101.09 FGF 13	9	13 - 1/2"	25	69.7	28
101.12 FGB 13	101.12 FGF 13	12	13 - 1/2"	30.3	81.1	28
101.16 FGB 16	101.16 FGF 16	16	16 - 5/8"	38	113	38
101.16 FGB 19	101.16 FGF 19	16	19 - 3/4"	38	113	38

MOULD COOLING COUPLINGS

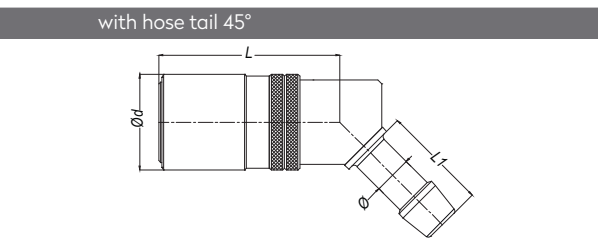
KÜHLUNGSELEMENTE FÜR WERKZEUGE

SERIE 101

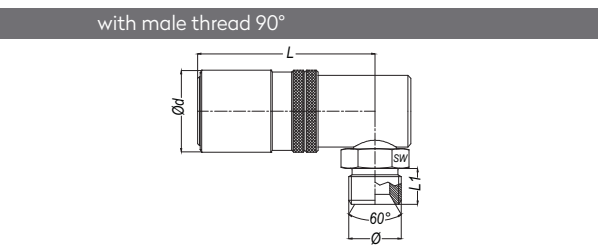
QUICK COUPLINGS SCHNELLKUPPLUNGEN



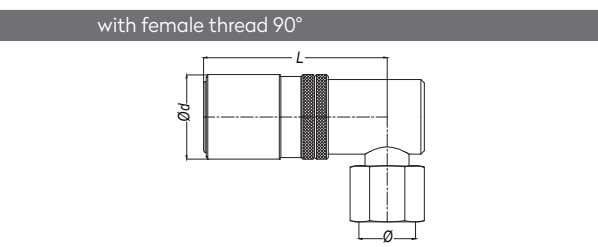
Part no.		DN	Ø	Ød	L
101.06 DGB 13-45°	101.06 DGF 13-45°	6	BSP 1/4"	19.3	40
101.09 DGB 17-45°	101.09 DGF 17-45°	9	BSP 3/8"	25	47.3



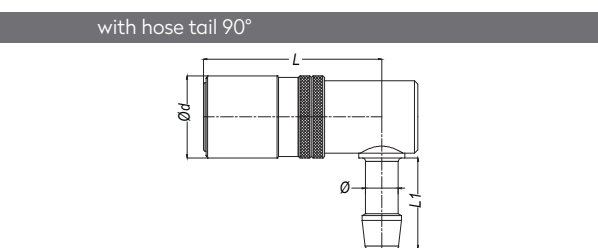
Part no.		DN	Ø	Ød	L	L1
101.06 HGB 08-45°	101.06 HGF 08-45°	6	08-5/16"	19.3	40	23
101.09 HGB 10-45°	101.09 HGF 10-45°	9	10-3/8"	25	47.3	27.5
101.09 HGB 12-45°	101.09 HGF 12-45°	9	12-15/32"	25	47.3	27.5



Part no.		DN	Ø	Ød	L	L1	SW
101.06 EGB 13-90°	101.06 EGF 13-90°	6	BSP 1/4"	19.3	51	9	17
101.09 EGB 17-90°	101.09 EGF 17-90°	9	BSP 3/8"	25	54.3	9	22
101.12 EGB 21-90°	101.12 EGF 21-90°	12	BSP 1/2"	30.3	64.6	12	27
101.16 EGB 26-90°	101.16 EGF 26-90°	16	BSP 3/4"	38	71.5	18	32



Part no.		DN	Ø	Ød	L
101.06 DGB 13-90°	101.06 DGF 13-90°	6	BSP 1/4"	19.3	51
101.06 NGB 13-90°	101.06 NGF 13-90°	6	NPT 1/4"	19.3	51
101.09 DGB 17-90°	101.09 DGF 17-90°	9	BSP 3/8"	25	54.3
101.09 NGB 17-90°	101.09 NGF 17-90°	9	NPT 3/8"	25	54.3
101.12 DGB 21-90°	101.12 DGF 21-90°	12	BSP 1/2"	37.3	64.6
101.12 NGB 21-90°	101.12 NGF 21-90°	12	NPT 1/2"	37.3	64.6



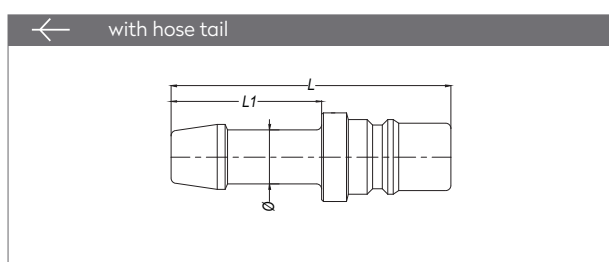
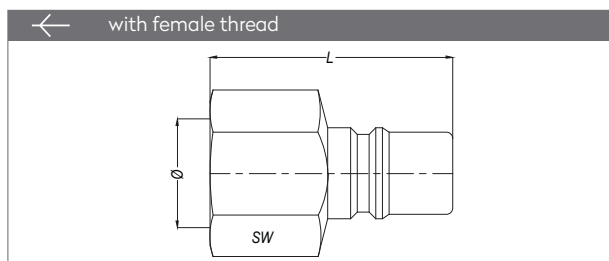
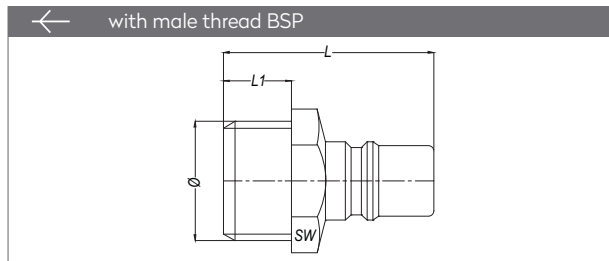
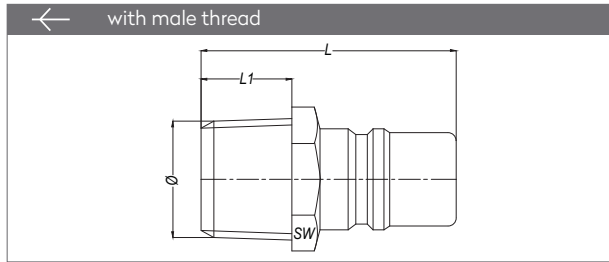
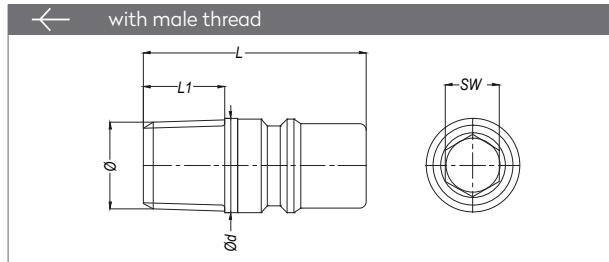
Part no.		DN	Ø	Ød	L	L1
101.06 HGB 08-90°	101.06 HGF 08-90°	6	08 - 5/16"	19.3	51	23
101.09 HGB 10-90°	101.09 HGF 10-90°	9	10 - 3/8"	25	54.3	27.5
101.09 HGB 12-90°	101.09 HGF 12-90°	9	12 - 15/32"	25	54.3	27.5
101.12 HGB 16-90°	101.12 HGF 16-90°	12	16 - 5/8"	30.3	64.6	27.5
101.16 HGB 19-90°	101.16 HGF 19-90°	16	19 - 3/4"	38	71.5	53

MOULD COOLING COUPLINGS
KÜHLUNGSELEMENTE FÜR WERKZEUGE

SERIE 101



PLUGS STECKNIPPEL



Part no.	DN	Ø	L	L1	Ød	SW
101.06 RU 10	6	BSPT 1/8"	30	9	10	5
101.06 RU 13	6	BSPT 1/4"	33	11	14	5
101.06 TU 10	6	NPT 1/8"	34	12	10	5
101.06 TU 13	6	NPT 1/4"	34	12	14	5
101.09 RU 13	9	BSPT 1/4"	33	12	14	8
101.09 RU 17	9	BSPT 3/8"	36	13	17	8
101.09 TU 13	9	NPT 1/4"	36	13	14	8
101.09 TU 17	9	NPT 3/8"	36	13	17	8
101.12 RU 17	12	BSPT 3/8"	39	13	18	10
101.12 TU 17	12	NPT 3/8"	39	13	18	10

Part no.	DN	Ø	L	L1	SW
101.12 RU 21	12	BSPT 1/2"	45	16	22
101.12 TU 21	12	NPT 1/2"	46	17	22
101.16 RU 21	16	BSPT 1/2"	56	17	22
101.16 RU 26	16	BSPT 3/4"	59.5	18	24

Part no.	DN	Ø	L	L1	SW
101.06 EU 10	6	BSP 1/8"	30.8	7	14
101.06 EU 13	6	BSP 1/4"	32.8	9	14
101.09 EU 21	9	BSP 1/2"	37	12	22
101.12 EU 26	12	BSP 3/4"	46	16	27
101.16 EUM 24	16	M24x1.5	39	15	30

Part no.	DN	Ø	L	SW
101.06 DU 13	6	BSP 1/4"	34	17
101.06 NU 13	6	NPT 1/4"	36	17
101.09 DU 17	9	BSP 3/8"	37	22
101.09 NU 17	9	NPT 3/8"	37	22
101.12 DU 21	12	BSP 1/2"	45	27
101.12 NU 21	12	NPT 1/2"	46	27
101.16 DU 26	16	BSP 3/4"	58	32
101.16 NU 26	16	NPT 3/4"	60	32

Part no.	DN	Ø	L	L1
101.06 HU 08	6	Ø8 5/16"	44	23
101.09 HU 12	9	Ø12 15/32"	53	28
101.12 HU 16	12	Ø16 5/8"	59	33
101.16 HU 19	16	Ø19 3/4"	70	33



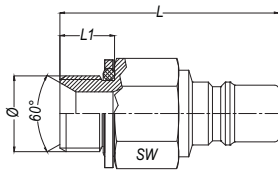
MOULD COOLING COUPLINGS

KÜHLUNGSELEMENTE FÜR WERKZEUGE

SERIE 101

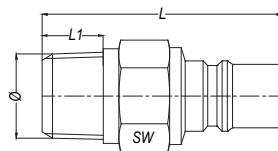
VALVED PLUGS VERSCHLUSSNIPPEL

with male thread + o'ring

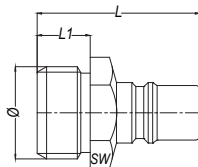


* without KS

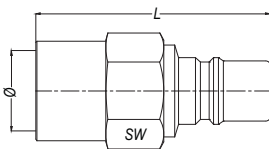
with male thread



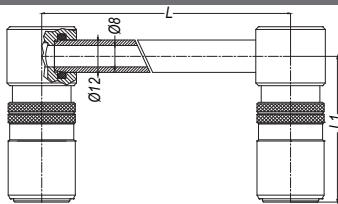
with male thread BSP



with female thread



Flexible Diverting connector



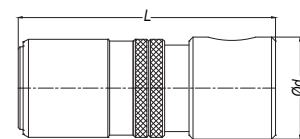
Part No.	L	L1
101.09 KG 125	125	54.5
101.09 KG 500	500	54.5
101.09 KG 1000	1000	54.5

Part no.	DN	Ø	L	L1	SW
101.06 OUB 10	6	BSP 1/8"	43.8	9	17
101.06 OUB 13	6	BSP 1/4"	41.8	9	17
101.09 OUB 13	9	BSP 1/4"	49	9	19
101.09 OUB 17	9	BSP 3/8"	48	10	20
101.12 OUB 17*	12	BSP 3/8"	60	9	24
101.12 OUB 21*	12	BSP 1/2"	62	11	27
101.16 OUB 26*	16	BSP 3/4"	65	16	32

Part no.	DN	Ø	L	L1	SW
101.06 RUB 10	6	BSPT 1/8"	45.8	10	17
101.06 RUB 13	6	BSPT 1/4"	44.8	12	17
101.06 TUB 10	6	NPT 1/8"	44.8	11	17
101.06 TUB 13	6	NPT 1/4"	45.8	13	17
101.09 RUB 13	9	BSPT 1/4"	48.5	12	19
101.09 RUB 17	9	BSPT 3/8"	47	12	19
101.09 TUB 13	9	NPT 1/4"	46	11	19
101.09 TUB 17	9	NPT 3/8"	47	12	19
101.12 RUB 17	12	BSPT 3/8"	63	13	24
101.12 RUB 21	12	BSPT 1/2"	64.5	17	24
101.12 TUB 17	12	NPT 3/8"	63	13	24
101.12 TUB 21	12	NPT 1/2"	64.5	17	24
101.16 RUB 26	16	BSPT 3/4"	83	21	32
101.16 TUB 26	16	NPT 3/4"	83	21	32

Part no.	DN	Ø	L	L1	SW
101.06 EUB 17	6	BSP 3/8"	35	9	19
101.09 EUB 21	9	BSP 1/2"	37	12	22
101.12 EUB 26	12	BSP 3/4"	46	16	27
101.16 EUB 33	16	BSP 1"	60	22	32

Part no.	DN	Ø	L	SW
101.06 DUB 13	6	BSP 1/4"	48.5	17
101.06 NUB 13	6	NPT 1/4"	47.8	17
101.09 DUB 13	9	BSP 1/4"	48.5	19
101.09 NUB 13	9	NPT 1/4"	48.5	19
101.09 DUB 17	9	BSP 3/8"	48.5	21
101.12 NUB 21	12	NPT 1/2"	63	27
101.16 DUB 26	16	BSP 3/4"	81	32
101.16 NUB 26	16	NPT 3/4"	81	32



Part No.	Ød	L
101.09 KG 00	26	65.5

Part No. for the brass tube	Outer Ød	Thickness
101.09 KPB x Length	12	2

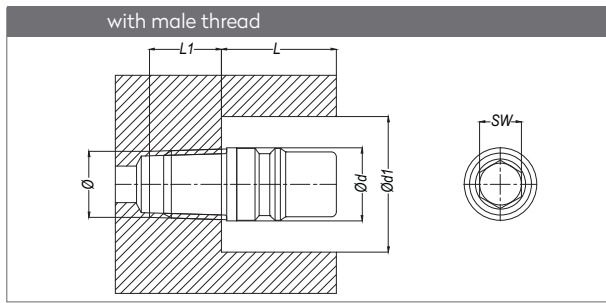
MOULD COOLING COUPLINGS

KÜHLUNGSELEMENTE FÜR WERKZEUGE

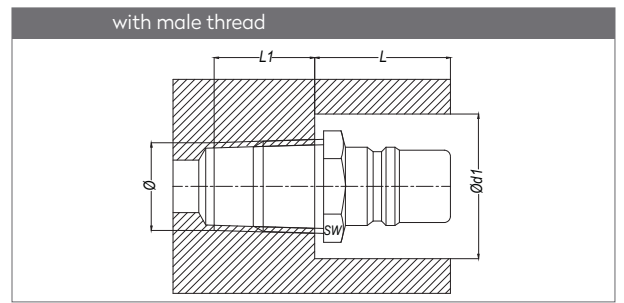
SERIE 101



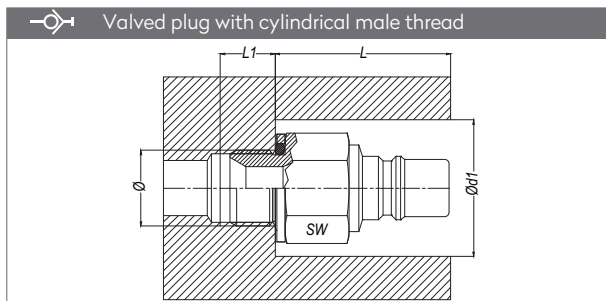
INSTALLATION



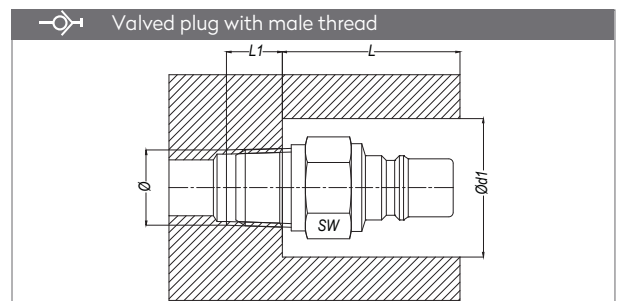
Part no.	Ø	DN	Ød	Ød1	L	L1	SW
101.06 RU 10	BSPT 1/8"	6	10	20	26	9	5
101.06 TU 10	NPT 1/8"	6	11	20	28	9	5
101.06 RU 13	BSPT 1/4"	6	14	20	27	11	5
101.06 TU 13	NPT 1/4"	6	14	20	27	12	5
101.09 RU 13	BSPT 1/4"	9	14	26	26	12	8
101.09 TU 13	NPT 1/4"	9	14	26	28	13	8
101.09 RU 17	BSPT 3/8"	9	17	26	28	13	8
101.09 TU 17	NPT 3/8"	9	17	26	28	13	8
101.12 RU 17	BSPT 3/8"	12	18	33	31	13	10



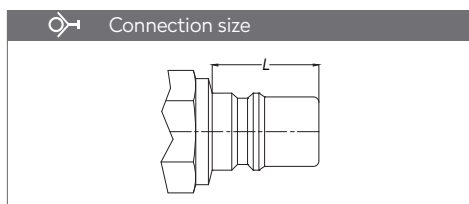
Part no.	Ø	DN	Ød1	L	L1	SW
101.12 TU 17	NPT 3/8"	12	33	31	13	10
101.12 RU 21	BSPT 1/2"	12	33	34	16	22
101.12 TU 21	NPT 1/2"	12	33	34	17	22
101.16 RU 26	BSPT 3/4"	16	40	46	18	27



Part no.	Ø	DN	Ød1	L	L1	SW
101.06 EUB 10	BSP 1/8"	6	36	24	8	17
101.06 EUB 13	BSP 1/4"	6	33	27	9	17
101.09 EUB 13	BSP 1/4"	9	36	29	9	19
101.09 EUB 17	BSP 3/8"	9	36	30	12	19
101.12 EUB 17	BSP 3/8"	12	50	36	9	24
101.12 EUB 21	BSP 1/2"	12	50	36	12	24
101.16 EUB 26	BSP 3/4"	16	64	46	16	32



Part no.	Ø	DN	Ød1	L	L1	SW
101.06 RUB 10	BSPT 1/8"	6	27	36	10	17
101.06 TUB 10	NPT 1/8"	6	27	36	9	17
101.06 RUB 13	BSPT 1/4"	6	27	33	12	17
101.06 TUB 13	NPT 1/4"	6	27	33	13	17
101.09 RUB 13	BSPT 1/4"	9	29	36.5	12	19
101.09 TUB 13	NPT 1/4"	9	29	35	11	19
101.09 RUB 17	BSPT 3/8"	9	29	35	12	19
101.09 TUB 17	NPT 3/8"	9	29	35	12	19
101.12 RUB 17	BSPT 3/8"	12	36	50	13	24
101.12 TUB 17	NPT 3/8"	12	36	50	13	24
101.12 RUB 21	BSPT 1/2"	12	36	48	17	24
101.12 TUB 21	NPT 1/2"	12	36	48	17	24
101.16 RUB 26	BSPT 3/4"	16	46	62	21	32
101.16 TUB 26	NPT 3/4"	16	46	62	21	32



Part no.	DN	L
101.06	6	17.8
101.09	9	19
101.12	12	24
101.16	16	31

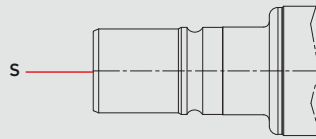
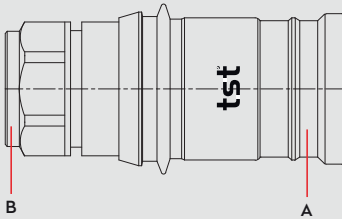


DN 20-38

MOULD COOLING COUPLINGS
KÜHLUNGSELEMENTE FÜR WERKZEUGE

SERIE 101

Materials




Material Code


A = AISI 420 / Chrome Plated

B = Brass Nickel Plated

S = AISI 420 / Chrome Plated



0 - 16 bar



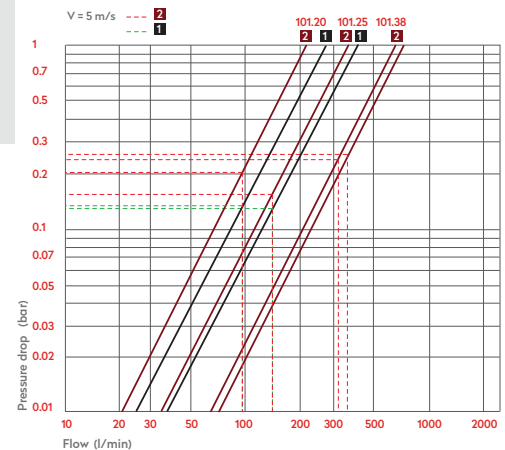
-26° to + 200°C (FPM)

Shut Off Type

	COUPLING	101.20 OV 353 - 02975 OV 262 - 03140 OV 300 - 02000	101.25 OV 353 - 03490 OV 262 - 03690 OV 353 - 02180-88	101.38 OV 353 - 04605 OV 262 - 06000 OV 353 - 03810
	PLUG	101.20 OV 262 - 01785 OV 262 - 03540	101.25 OV 353 - 01865 OV 262 - 03690	101.38 OV 353 - 03295 OV 262 - 06000


DN

TST 101.20 → 20 mm
TST 101.25 → 25 mm
TST 101.38 → 38 mm



1 Single shutoff circuit 2 Double shutoff circuit

Options

E2	FFKM please ask	
EPDM	Id. Ring	

Applications

- Cold - hot fluid circuits
- Temperature control

Compatible with

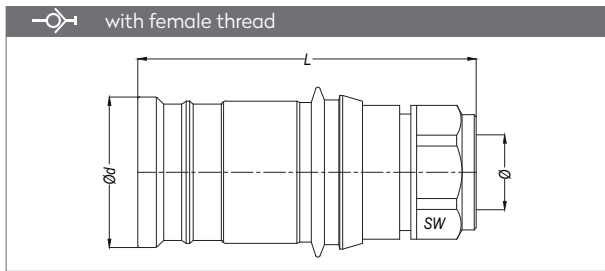
MOULD COOLING COUPLINGS

KÜHLUNGSELEMENTE FÜR WERKZEUGE

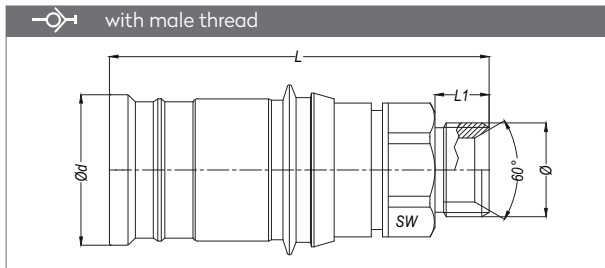
SERIE 101



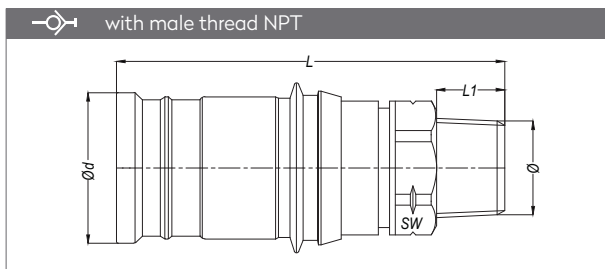
QUICK COUPLINGS SCHNELLKUPPLUNGEN



Part no.	Ø	DN	Ød	L	SW
101.20 DGB 26	BSP 3/4"	20	53	117	41
101.20 NGB 26	NPT 3/4"	20	53	117	41
101.20 DGB 33	BSP 1"	20	53	117	41
101.20 NGB 33	NPT 1"	20	53	117	41
101.25 DGB 33	BSP 1"	25	60	140.8	50
101.25 DGB 42	BSP 1 1/4"	25	60	140.8	50
101.38 DGB 48	BSP 1 1/2"	38	82.3	158.4	70
101.38 DGB 60	BSP 2"	38	82.3	168.4	75



Part no.	Ø	DN	Ød	L	L1	SW
101.20 EGB 33	BSP 1"	20	53	131.5	19	41
101.25 EGB 33	BSP 1"	25	60	142	19	50
101.25 EGB 42	BSP 1 1/4"	25	60	144	22	50
101.38 EGB 48	BSP 1 1/2"	38	82.3	182	22	70
101.38 EGB 60	BSP 2"	38	82.3	184.4	25	70



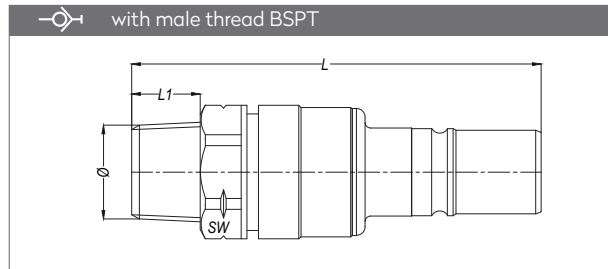
Part no.	Ø	DN	Ød	L	L1	SW
101.20 TGB 33	NPT 1"	20	53	133.5	21	41
101.25 TGB 33	NPT 1"	25	60	144	21	50
101.25 TGB 42	NPT 1 1/4"	25	60	147	15	50
101.38 TGB 48	NPT 1 1/2"	38	82.3	184	27	70
101.38 TGB 60	NPT 2"	38	82.3	190.4	31	70



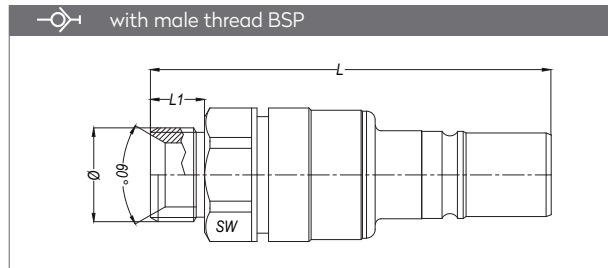
MOULD COOLING COUPLINGS
KÜHLUNGSELEMENTE FÜR WERKZEUGE

SERIE 101

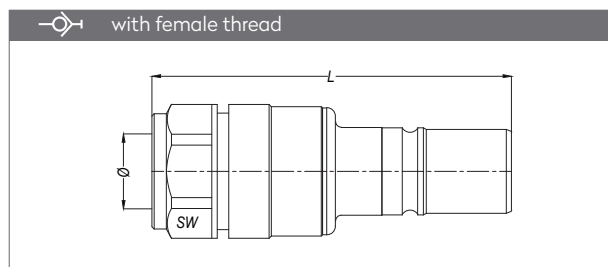
PLUGS STECKNIPPEL



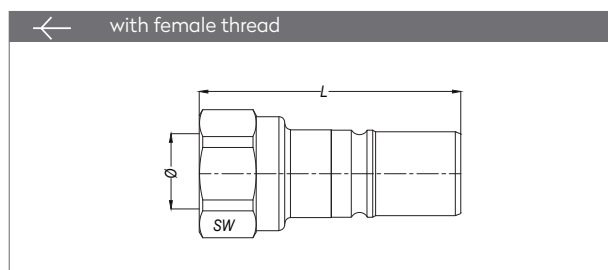
Part no.	Ø	DN	L	L1	SW
101.20 RUB 33	BSPT 1"	20	143	21	41
101.25 RUB 33	BSPT 1"	25	151.5	23	50
101.25 RUB 42	BSPT 1 1/4"	25	152.5	24	50
101.38 RUB 48	BSPT 1 1/2"	38	178	24	70
101.38 RUB 60	BSPT 2"	38	184	30	70



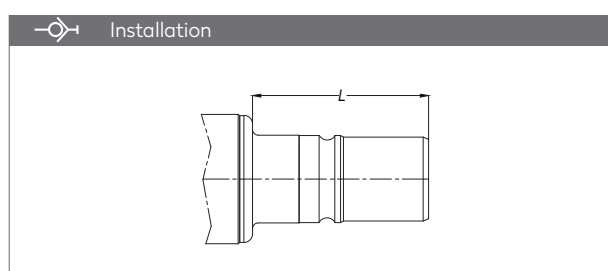
Part no.	Ø	DN	L	L1	SW
101.20 EUB 33	BSP 1"	20	141	19	41
101.25 EUB 33	BSP 1"	25	149.5	19	50
101.25 EUB 42	BSP 1 1/4"	25	152.5	22	50
101.38 EUB 48	BSP 1 1/2"	38	176	22	70
101.38 EUB 60	BSP 2"	38	179	25	70



Part no.	Ø	DN	L	SW
101.20 DUB 26	BSP 3/4"	20	126.5	41
101.20 DUB 33	BSP 1"	20	126.5	41
101.20 NUB 33	NPT 1"	20	126.5	41
101.25 DUB 33	BSP 1"	25	148.5	50
101.25 DUB 42	BSP 1 1/4"	25	148.5	50
101.38 DUB 48	BSP 1 1/2"	38	156	70
101.38 DUB 60	BSP 2"	38	165	75



Part no.	Ø	DN	L	SW
101.20 DU 33	BSP 1"	20	92	41
101.25 DU 33x100	BSP 1"	25	100	41
101.38 DU 48	BSP 1 1/2"	38	156	70



Part no.	DN	L
101.20	20	61
101.25	25	72
101.38	38	74.4