

WATER COUPLINGS  
WASSERKUPPLUNGEN

# SERIE 070



## ISO 7241-1 SERIE B

---

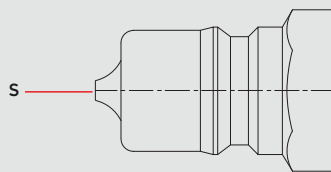
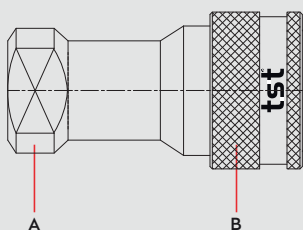


# DN 4-19

## SERIE 070

WATER COUPLINGS  
WASSERKUPPLUNGEN

### Materials



### Material Code

A = Brass

B = Brass

S = Brass

DN	4 mm - 1/8"	6 mm - 1/4"	7.5 mm - 3/8"	11 mm - 1/2"	13 mm - 3/4"	19 mm - 1"
Brass	300 bar	200 bar	200 bar	180 bar	130 bar	130 bar
Steel	345 bar	520 bar	345 bar	345 bar	280 bar	280 bar
St. Steel	280 bar	380 bar	260 bar	260 bar	210 bar	210 bar
FLOW	10 lt/min	25 lt/min	50 lt/min	90 lt/min	220 lt/min	260 lt/min
COUPLING	OM 178-00290-90	OM 200-01400	OM 262-01870	OM 300-02300	OM 353-03134	OM 400-03700
	OM 200-01100	07013VC-00M	07017VC-00M	07021VC-00M	07026VC-00M	07033VC-00M
PLUS	OM 178-00290-90	07013VC-00M	07017VC-00M	07021VC-00M	07026VC-00M	07033VC-00M



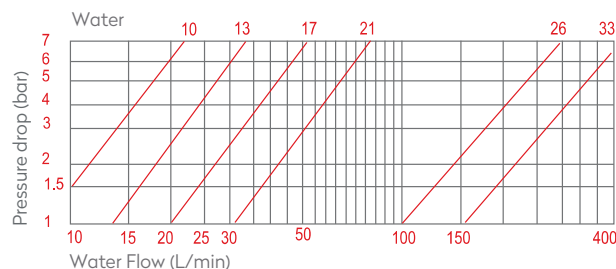
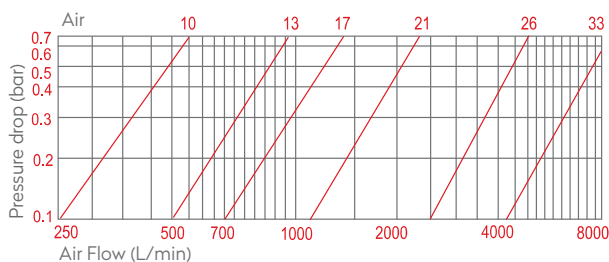
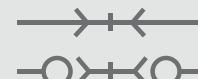
-40°C to +105°C (NBR)

## DN

## 4-19 mm

### ISO 7241-1 SERIE B

### Shut Off Type



### Options

E1

STEEL

AISI316

Stainless Steel

FPM

NICKEL

EPDM

AISI303

Stainless Steel

VA

### Applications

### Compatible with

HANSEN

HK SERIE

PARKER

60 SERIE

RECTUS

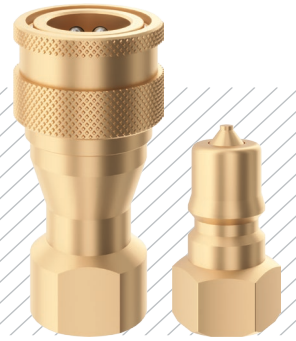
70 SERIE

FASTER HNV SERIE ISO 7241-1 SERIE B

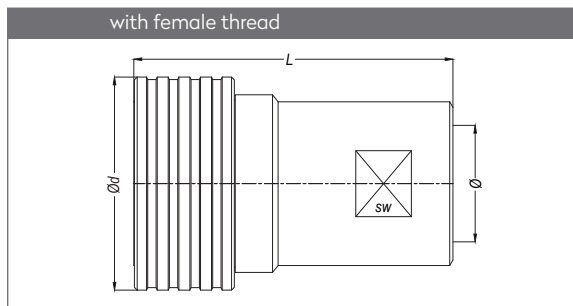
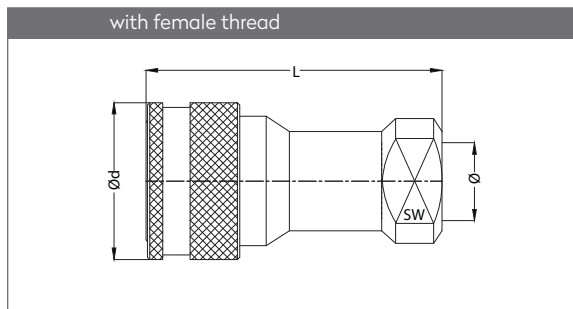
AISI 303, AISI 316Ti



WATER COUPLINGS  
WASSERKUPPLUNGEN


SERIE 070



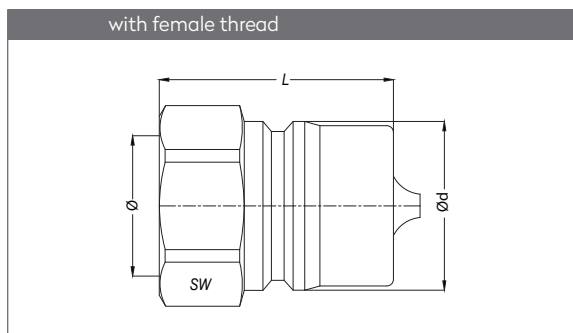
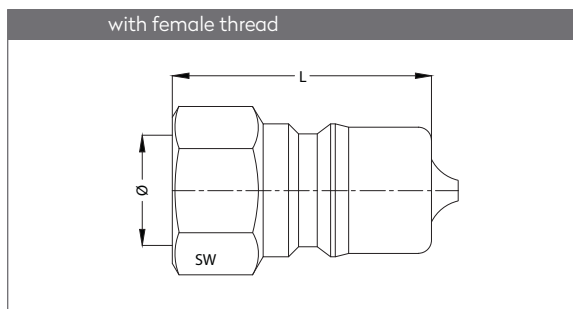
QUICK COUPLINGS SCHNELLKUPPLUNGEN






 Double Shut-off	 Full Flow	Ø	SW	Ød	L
070 DGB 10	070 DGF 10	BSP 1/8"	14	24	48
070 DGB 13	070 DGF 13	BSP 1/4"	19	28.2	55.3
070 DGB 17	070 DGF 17	BSP 3/8"	22	34	64
070 DGB 21	070 DGF 21	BSP 1/2"	28	42	71.5
070 DGB 26	070 DGF 26	BSP 3/4"	34	52	94
070 DGB 33	070 DGF 33	BSP 1"	41	60	106

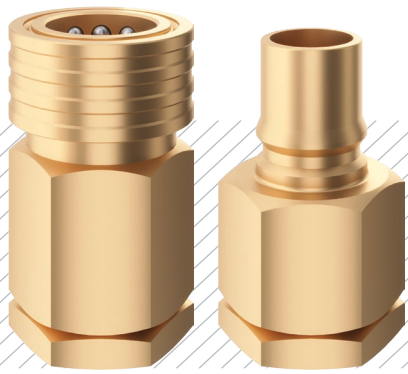
 Double Shut-off	DN	Ø	SW	Ød	L
063.25 DGB 42	25	BSP 1 1/4"	54	76.8	115
063.27 DGB 48 - P1	27	BSP 1 1/2"	58	86.8	138
063.30 DGB 48	30	BSP 1 1/2"	63	86	124

PLUGS STECKNIPPEL



 Double Shut-off	 Full Flow	Ø	SW	L
070 DUB 10	070 DUF 10	BSP 1/8"	14	29.5
070 DUB 13	070 DUF 13	BSP 1/4"	19	35
070 DUB 17	070 DUF 17	BSP 3/8"	22	39
070 DUB 21	070 DUF 21	BSP 1/2"	27	44
070 DUB 26	070 DUF 26	BSP 3/4"	36	60
070 DUB 33	070 DUF 33	BSP 1"	41	65.5

 Double Shut-off	DN	Ø	SW	Ød	L
063.25 DUB 42	25	BSP 1 1/4"	55	50.5	70
063.27 DUB 48 - P1	27	BSP 1 1/2"	58	56	80
063.30 DUB 48	30	BSP 1 1/2"	63	58.5	72

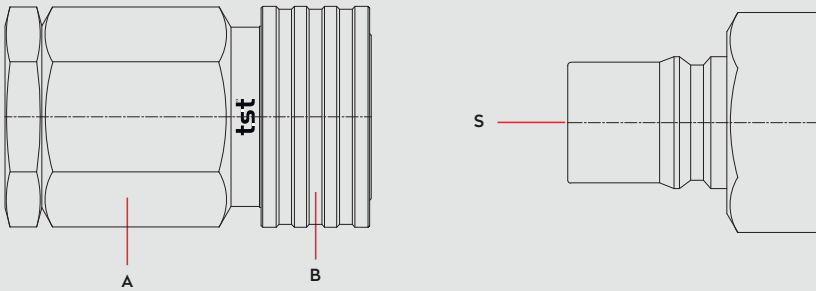


## DN 32-50

### SERIE 070

WATER COUPLINGS  
WASSERKUPPLUNGEN

#### Materials



#### Material Code

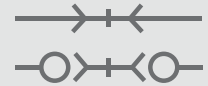
A = Brass

B = Brass

S = Brass

DN	32 mm - 1 1/4"	38 mm - 1 1/2"	50 mm - 2"	50 mm - 2 1/2"	
Brass	60 bar	55 bar	50 bar	50 bar	
Steel	120 bar	150 bar	105 bar	105 bar	
St. Steel	120 bar	150 bar	105 bar	105 bar	
<b>FLOW</b>	760 lt/min	850 lt/min	1000 lt/min	1000 lt/min	
	<b>COUPLING</b>	TC-4500-3780-12 OM 262-02455 OM 262-04570 OM 400-03700	TC-5020-4450-13 OM 262-02900 OM 262-05365 OM 353-04405	TC-7220-6350-15 OM 353-07260 OM 534-06285 OM 400-04500	TC-7220-6350-15 OM 353-07260 OM 534-06285 OM 400-04500
	<b>PLUG</b>	OM 262-02455 OM 262-04570	OM 262-02900 OM 262-05365	OM 353-07260	OM 400-04500

**Shut Off Type**



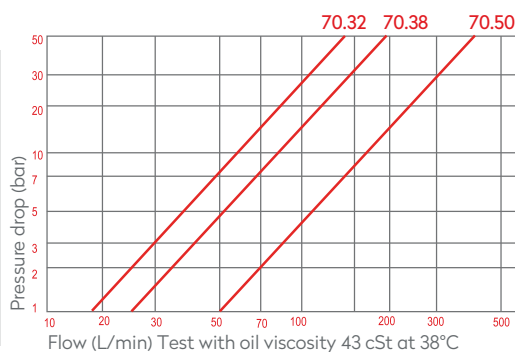
**DN 32-50 mm**



-40°C to + 105°C (NBR)

#### Options

E1	STEEL	AISI316 Stainless Steel	FPM
NICKEL	EPDM	AISI303 Stainless Steel	



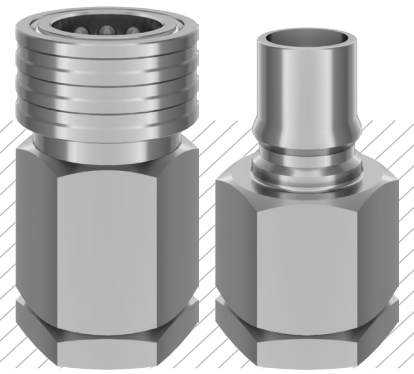
#### Compatible with

HANSEN  
PARKER  
RECTUS  
FASTER

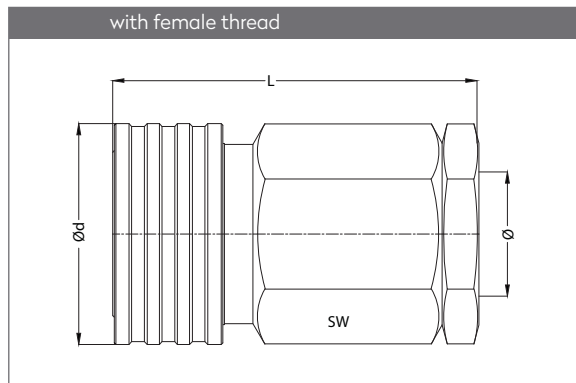
HK SERIE  
60 SERIE  
70 SERIE  
HNV SERIE



WATER COUPLINGS  
WASSERKUPPLUNGEN

SERIE 070

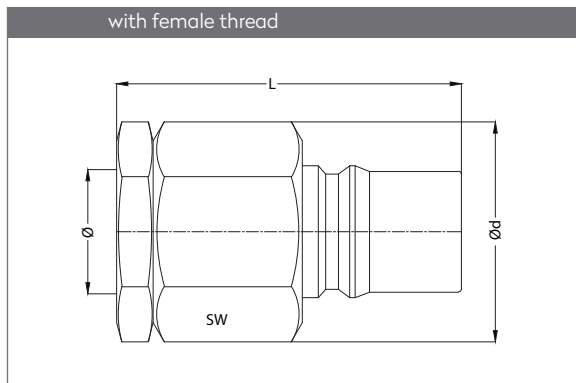




QUICK COUPLINGS SCHNELLKUPPLUNGEN



 Double Shut-off	 Full Flow	DN	Ø	SW	Ød	L
070.32 DGB 42	070.32 DGF 42	32	BSP 1 1/4"	60	69	114.8
070.38 DGB 48	070.38 DGF 48	38	BSP 1 1/2"	65	74.2	125
070.50 DGB 60	070.50 DGF 60	50	BSP 2"	90	105	142
070.50 DGB 75	070.50 DGF 75	50	BSP 2 1/2"	90	105	165.5

PLUGS STECKNIPPEL



 Double Shut-off	 Full Flow	DN	Ø	SW	Ød	L
070.32 DUB 42	070.32 DUF 42	32	BSP 1 1/4"	60	69	108.1
070.38 DUB 48	070.38 DUF 48	38	BSP 1 1/2"	65	69	125
070.50 DUB 60	070.50 DUF 60	50	BSP 2"	90	97	142
070.50 DUB 75	070.50 DUF 75	50	BSP 2 1/2"	90	97	165.5